

KAPPA

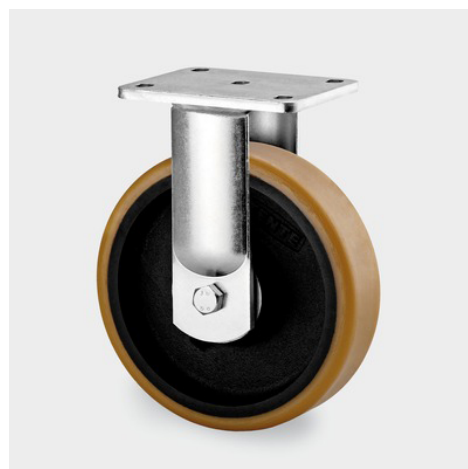
9688FTP200P63 WT60

EAN 4031582316216

Fixed castor, Fork and plate steel welded, bright zinc plated, blue passivated, wheel axle with nut, plate fitting.
Wheel centre made of cast iron, Tread: Polyurethane, casted, precision ball bearing



BETTER MOBILITY. BETTER LIFE.

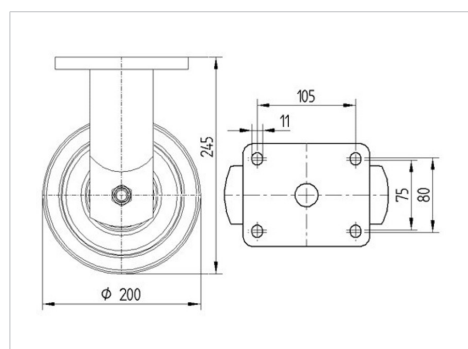


Picture may differ from original product

Technical Data

Wheel diameter	200 mm
Width of Tread	60 mm
Size of Plate	135 x 110 mm
Plate hole centres	105 x 80/75 mm
Plate hole	11 mm
Overall height	245 mm
Temperature	- 20 / + 60 °C
Standard	EN 12533
Weight	7.984 kg
Hardness of tread	Shore A 92
Load capacity	1200 kg
Load capacity (static)	2400 kg

Dimensions



Advantages at a glance

Roll performance	● ● ● ● ○
Movement noise	● ● ● ○ ○
Attrition	● ● ● ● ○
Corrosion resistance	● ● ● ○ ○

KAPPA

9688FTP200P63 WT60

EAN 4031582316216



BETTER MOBILITY. BETTER LIFE.

Structure & Mounting

