



STRATA

«STRATA: a new generation of ergonomic lamp that reduces eye strain.»

OPTIMAL VISUAL COMFORT

Greater light amplitude

When light is distributed in a narrow area, contraction of the pupil occurs frequently and eyes are easily fatigued. With STRATA light is diffused with greater amplitude from the center to the edge of the office. Thus the pupil contracts less often and therefore it is much less eye fatigue than a regular desk lamp providing a real sense of visual comfort.

SMART LIGHTING

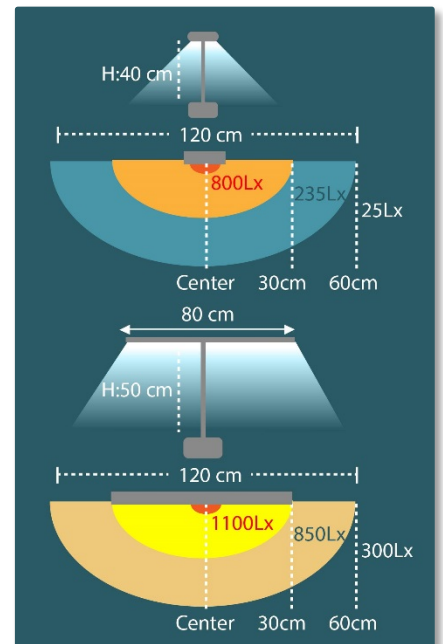
Variation and automatic adaptation of light

STRATA is equipped with a brightness sensor that will adapt your lighting automatically according to the external lighting environment. Plus, with easy-to-access touch interfaces on the head, you'll be able to quickly adjust the light intensity and color temperature and adapt your lighting to the different activities and daily tasks in your workday.

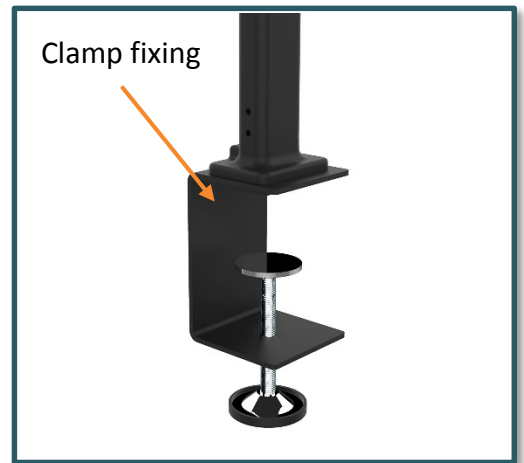
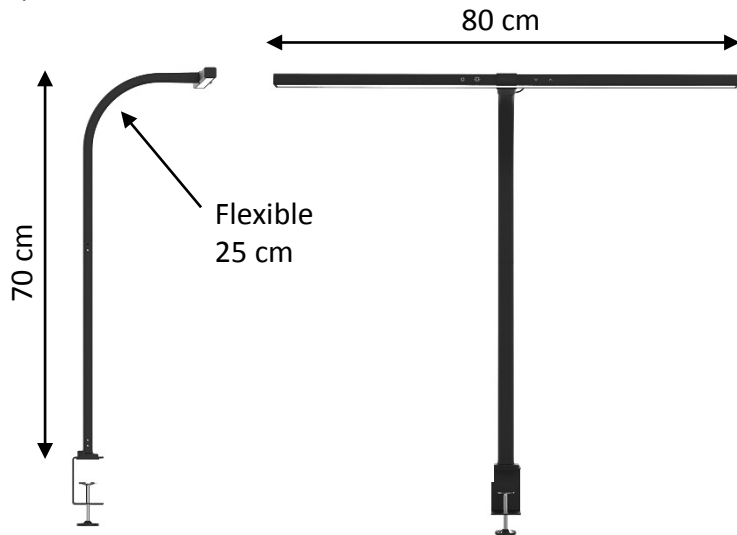
« APPLE » DESIGN

Uncluttered lines

Thanks to its design with modern and sober lines, STRATA will integrate perfectly with your desktop world. Its flexible arm will adapt to all screens.



DIMENSIONS



TECHNICAL FEATURES

Materials

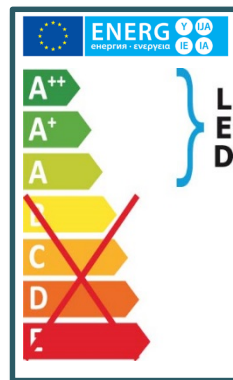
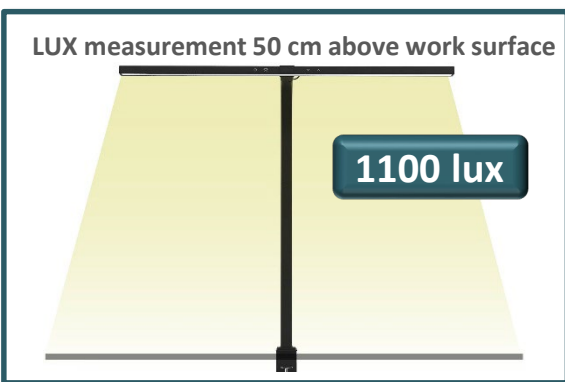
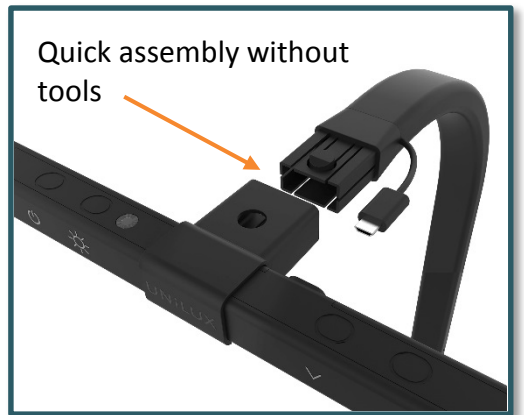
Metal arm with elastomer
 ABS plastic in head
 Steel base with EPOXY painting

Source

LED built-in*: rated power 12W
 *cannot be replaced

Driver

Removable on plug



SAP no.	Colours	Energy consumption n KW/1000 h	Lm	Lm/W	Colour T°	CRI	Source's lifetime*	Warrant y	Net weight	EAN code
400124562	Black	12,5	680	100	3000 K 4000 K 6000 K	>80	30000h	2 years	0,72 kg	3595560029525

* Average use: 1000h/year

